



Commercial
Vehicles



The All-New Amarok

Maximum Amarok



Designed in Australia, the All-New Amarok is striking whichever way you look.

The All-New Amarok is coming, built tough from the ground up, uncompromising in its performance and capable of taking on any challenge, the All-New Amarok takes everything to the max. When you drive a ute maxed out like this, there's nothing you can't do.

All images displayed in this brochure are for illustrative purposes only and may include overseas models, optional equipment and features not available in Australia. Actual vehicles may differ. Please confirm final specifications and features with an authorised Volkswagen Dealer prior to purchase.

The image shows the interior of a vehicle, likely a van or SUV, with black leather seats. A man in a blue and orange work jacket is leaning into the cabin from the right side, holding a red hard hat and a pair of yellow work gloves. In the background, another man is visible through the rear window, working on something. The text 'Maxed out Comfort & Safety' is overlaid on the left side of the image.

Maxed out Comfort & Safety

Robust and confident on the outside, functional and high-quality on the inside, the All-New Amarok impresses with its sophisticated comfort, visible premium character and smart assistance systems.

Premium high-level equipment allows you to enjoy first-class comfort combined with smart infotainment and over 30 state-of-the-art driver assistance systems, 20 of which are completely new.

Maxed out **Design**

Designed in Australia, the All-New Amarok is striking whichever way you look. An upright bonnet remains true to Volkswagen DNA, with a defining X-shaped design marking our distinctive 'PanAmericana' (off-road) and the 'Aventura' (on-road) variants. From the rear it's just as striking with its robust tailgate framed by powerful LED rear lights and a 'Amarok' distinctly embossed across the tailgate. Robust 21-inch wheels on the Aventura and 18-inch alloy wheels with all-terrain tyres on the PanAmericana variant top off its unmistakable character. Strong, confident and charismatic, the All-New Amarok is a force to be reckoned with.



Next Level Tech

There's an astonishing array of advanced technology in the All-New Amarok.

Innovation is taken to the next level with a vertical touchscreen infotainment up to 12 inches in size in certain models, that 'levitates' above the central console. Link your smartphone to the premium Harman Kardon sound system (in higher trim variants) via App-Connect* to bring your favourite music to life. And reveal essential driving information like never before with the All-New Amarok's digital cockpit with 8-inch digital instrument cluster, or 12-inch cluster in higher trims. The upgraded tech doesn't end there. LED headlights are standard across the range, as are powerful IQ.Light LED Matrix headlights in higher trim variants.

*App-Connect is compatible for selected apps with the latest smartphone versions of iOS and Android, active data service, optional connection cable (sold separately).

Master of **Versatility**



The Amarok Core **Workhorse**

The All-New Amarok Core takes every feature, from style to safety to the max. Built tough from the ground up with a 2.0L 125kW 405 Nm Diesel engine and available in automatic and manual transmission with 3.5-tonne braked towing capacity. When you drive a ute maxed out like this – there's nothing you can't do.

Engine/Transmission/4x4 system

2.0L 125kW/ 405 Nm Diesel 4x4 6spd MT selectable
2.0L 125kW/ 405 Nm Diesel 4x4 6spd AT selectable

Selection of the Standard equipment:

- 17" alloy wheels
- LED headlights
- Rear parking sensors with rear view camera
- 10.1" infotainment incl. touch display + DAB
- Rear differential lock
- Driver/passenger/middle airbag, side and curtain airbag
- 8" Digital Cockpit
- Vinyl floor covering
- Wireless charging
- New Driver Assistance systems such as ACC, Lane Assist and Traffic Sign Recognition*



The Amarok Life **Comfort**

The Amarok Life embraces the next-level power of the Core and dials up the comfort to unprecedented levels. Command the road with a 2.0L 154kW 500Nm diesel engine and 10 speed automatic transmission. One you get behind the wheel of the Amarok Life, you'll never want to leave.

Engine/Transmission/4x4 system

2.0L 154kW/ 500 Nm Diesel 4x4 10spd AT selectable

Includes Amarok Core features, plus:

- 17" alloy wheels
- Front bumper, exterior mirrors and handles in body colour
- LED fog lights
- Embossed fabric seats and carpet floor covering
- Foldable heated exterior mirrors
- Multifunctional leather steering wheel
- 6 radio speakers
- Electronic parking brake
- Front and rear parking sensors with rear view camera*
- Blind spot monitoring*



The Amarok Style **Comfort & Design**

The Amarok Style has the grunt to go anywhere, style to look good anytime, and all the added extras to take the drive to the next level. Boasting your choice of a 2.0L 154kW 500Nm diesel engine or the power of the 3.0L 184kW 600Nm V6 diesel engine, the Amarok Style is equipped with power and style for any situation.

Engine/Transmission/4x4 system

3.0L 184kW/ 600 Nm Diesel V6 4x4 10spd AT permanent
2.0L 154kW/ 500 Nm Diesel 4x4 10spd AT selectable

Includes Amarok Life features plus:

- 18" alloy wheels
- Rear bumper & steps with chrome inlay
- Sports bar
- Art Velour appointment seats
- Ambient lighting
- 12" digital infotainment incl. touch display + DAB
- IQ. Light LED-Matrix Headlamps
- New driver assistance including Park Assist and 360 degree camera area view*
- Keyless entry and start



The Amarok Pan Americana **Offroad & Design**

The Amarok Pan Americana is built to transverse every inch of the country with ease. Feel dirt trails and mountainside quakes in fear with its powerful 3.0L 184kW 600Nm V6 diesel engine. Packing all the equipment to take you further, the Amarok PanAmericana helps you dominate the landscape.

Engine/Transmission/4x4 system

3.0L 184kW/ 600 Nm Diesel **V6** 4x4 10spd AT permanent

Includes Amarok Style features plus:

- 18" alloy wheels, exclusively in all black, with all-terrain tyres
- X-Design front bumper in black
- LED taillights
- Roof rails
- Exterior mirror, bumper and door handles in black
- Style bar and steps in black
- 12" navigation system incl. touch display with Harman Kardon premium sound system
- 10 way electric seats in 'Cricket' leather5
- Spray in tub liner



The Amarok Aventura **Lifestyle & Design**

The Amarok Aventura finds the perfect balance between raw power and exquisite design. Boasting your choice of a 3.0L 184kW 600Nm V6 diesel engine or a 2.3L 222kW 454Nm petrol engine, feel the power that makes the world your oyster. In the Amarok Aventura, start your engines and get ready for the ultimate power, smarts, comfort and style – the ride of your life.

Engine/Transmission/4x4 system

3.0L 184kW/ 600 Nm Diesel **V6** 4x4 10spd AT permanent

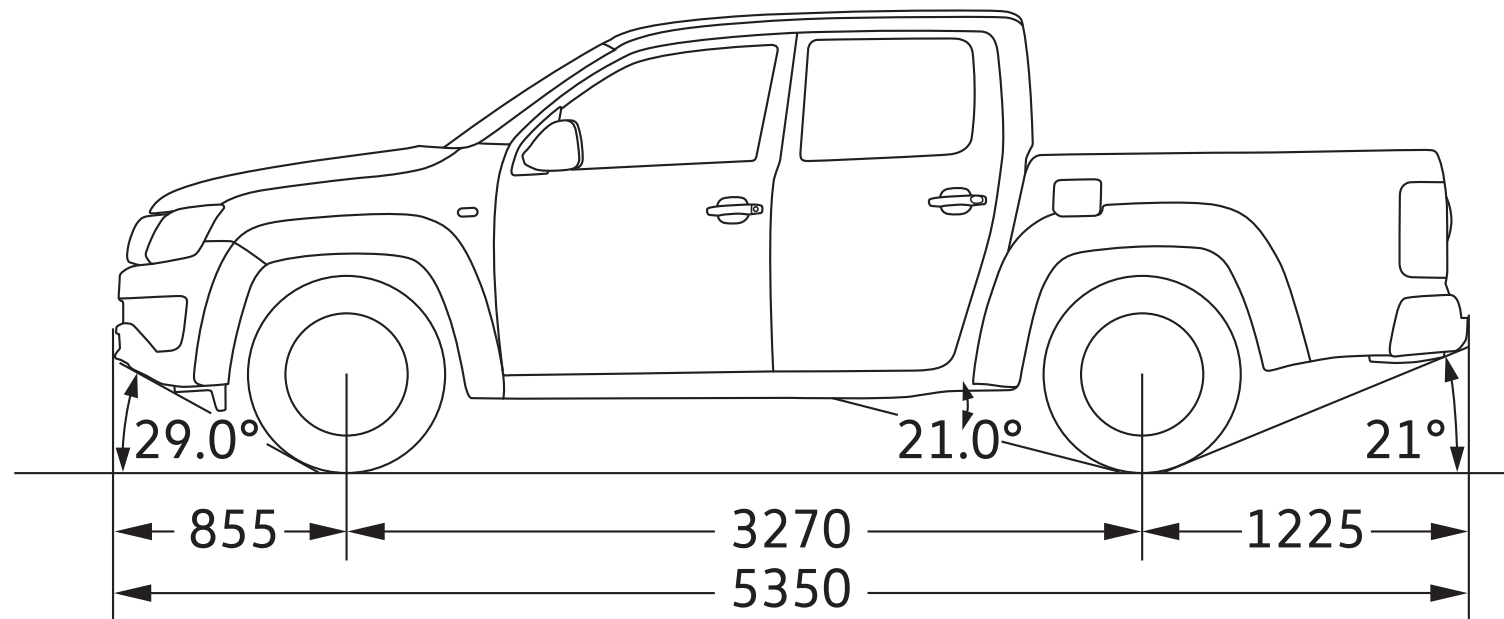
2.3L 222kW 452 Nm Otto 4x4 10spd AT permanent

Includes Amarok PanAmericana features plus:

- 21" alloy wheels
- X-Design front bumper in chrome
- Exterior mirrors and door handles in chrome, rear bumper with chrome applications
- Side steps with chrome inlay
- Electronic roll cover
- Moulded sports bar
- 12" navigation system incl. touch display with Harman Kardon premium sound system
- 10 way electric seats in 'Savona' leather

Take on any **Challenge**

What makes the All-New Amarok a real thoroughbred off-roader? It offers the latest technology and more ride comfort, such as state of the art airbags and assistance systems. And with its optional selectable 4MOTION system offering three different 4x4 drive modes, and six additional driving modes (Normal, ECO, Slippery, Mud/trail, snow/sand, Trailer/cargo) - there's no off-road situation that the All-New Amarok can't beat. More driving modes, more driving comfort, more fun. Everything is designed for off road capability.



Longer wheelbase

The All-New Amarok is 5,350mm long 96mm longer than its predecessor. A wheelbase of 3,270mm corresponds to an increase of 173mm which means there is more rear leg room. Since the wheelbase grows more than its overall length, the body overhangs are reduced. This adds to an increased slope angle and a better off road capability.

Haul everything you want

The All-New Amarok's 3.5 tonne braked towing[^] capacity and 350kg of roof load capacity – perfect for enjoying nights under the stars in a rooftop tent. An extra-wide tray that's big enough to accommodate a Euro pallet means you can get the job done, while a remarkable payload capacity means no challenge is too tough for the Amarok.

Wading depth of 800mm

Thanks to an 800mm wading depth 300mm more than its predecessor off road fans can now immerse themselves even more fully in the world of off road capability.

[^] When fitted with Volkswagen Genuine Tow Bar. Towing capacities are applicable to Volkswagen Genuine Accessory Tow Bar. Towing capacity figures are maximum figures and actual towing capacity depends on factors including the laden mass of the vehicle, driving conditions and fitment of any accessories. Volkswagen Group Australia does not endorse or will not be held liable for any claim, loss or damage arising from the use or fitment of electronic trailer brakes.

Colours



Clear White



Bright Beige Metallic



Bright Blue Metallic



Dark Grey Metallic



Deep Red Metallic



Mid Blue Metallic (Moroccan Blue)



Midnight Black Metallic



Light Grey Metallic

*The print process does not allow for exact reproduction of the exterior colours.

The All-New Amarok

Volkswagen Group Australia Pty Ltd
895 South Dowling Street, Zetland NSW 2017
ABN 14 093 117 876

December 2022
www.volkswagen.com.au

Publication: VWCAMAROKNEWMY23

Your Volkswagen Dealer.

Important information

Apple CarPlay® registered trade mark of Apple Inc. Android Auto™ is a registered trade mark of Google Inc. Bluetooth® is a registered trade mark of Bluetooth SIG Inc.

Volkswagen is distributed by Volkswagen Group Australia Pty Ltd (ABN 14 093 117 876) of 895 South Dowling Street, Zetland NSW 2017. Specifications are as planned at April 2022, for Model Year 2023 and are subject to change without notice or obligation. All information in this brochure are correct at the time of publication, however variations may occur from time to time and Volkswagen, in so far as it is permitted by law to do so, shall not be liable in any way as a result of any reliance by any person on anything contained in this brochure. Authorised Volkswagen Dealers will provide up-to-date information on model application, design feature, prices, and availability on request.