

Polestar 3
—
Fleet and business



Polestar 3

The SUV for the electric age

Premium electric performance has found a new form defined by sculpted surfaces, discreet details, and optimised aerodynamics. A sleeker and more technical SUV, changing the automotive landscape while keeping the environment a priority. This is Polestar 3.

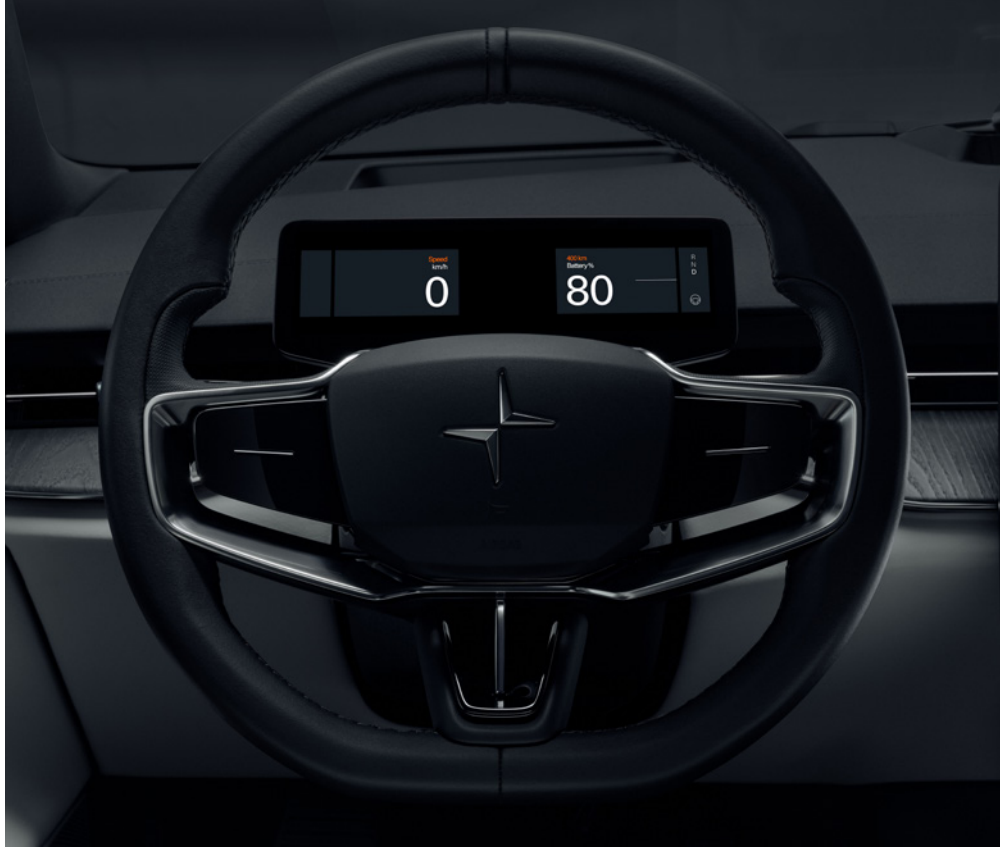


Polestar 3



Progressive by design

The SUV has played the same role for a long time. Polestar 3 recasts this reputation through an all-electric powertrain and climate-responsible material choices. It is time to turn the SUV into a symbol for a circular, sustainable form of performance.



Interior

The generous interior space of Polestar 3 is a seamless extension of the exterior design. Subtle details and curated materials are expressed in four different themes. Enhanced by ambient lighting, technical details, and tactile surfaces, the feeling of premium comfort is felt by every passenger.

Animal welfare certified

Sustainability by design

When changing the automotive landscape, electrification is a great start. But not enough. For Polestar 3, sustainability begins even before the first drive. Blockchain technology traces minerals used, and upholstery, such as leather and wool, are animal welfare certified. Recycled materials are included at every opportunity, ensuring the smallest possible footprint and emissions throughout the car's lifecycle.





Zinc Nappa leather with black ash wooden deco interior.



Jupiter Nappa leather with black ash wooden deco interior.



Animal welfare wool with aluminium deco.



Bio-attributed MicroTech with aluminium deco.

Sound system

25 speakers. 1610-watt. Bowers & Wilkins for Polestar delivers high-spec audio throughout Polestar 3. With carefully positioned speakers, including two in the headrests, the immersive 3D surround sound can be directed to specific zones for an optimal sound experience.





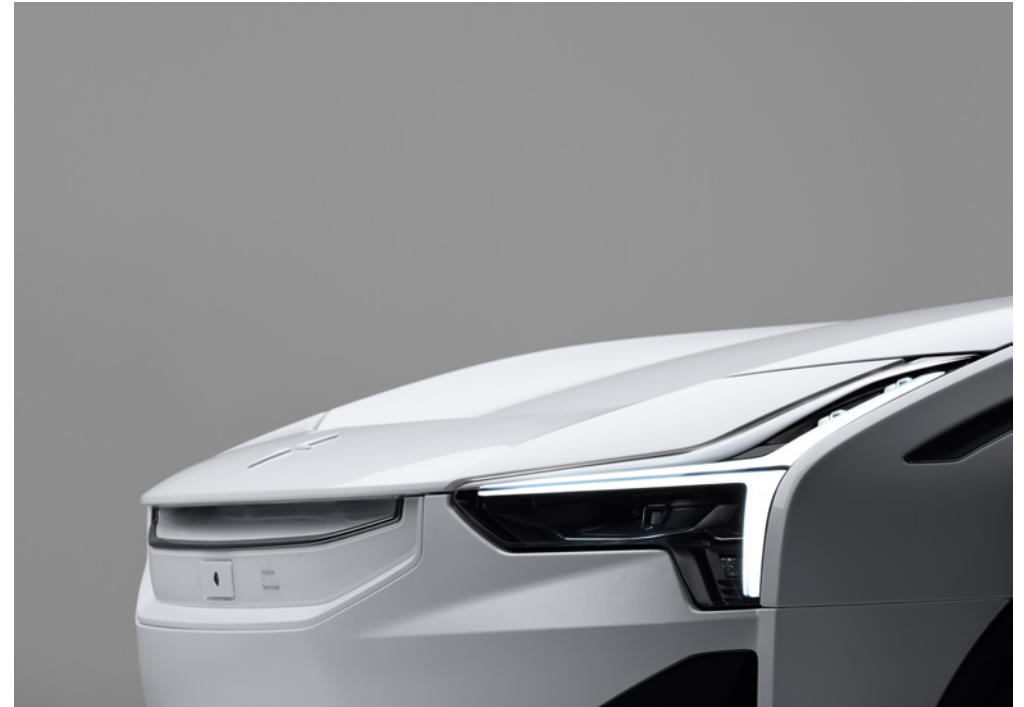


Exterior

Design is the tool we use to integrate the latest intelligent technology into the exterior design of Polestar 3. This results in sculpted surfaces, discreet details, and optimised aerodynamics to give a sleeker, more technical look.

Headlights

The 1.3 megapixel HD LED headlights combine minimalist aesthetics with intelligent adaptive technology for a signature expression with an optimised view.



Not available for the US market.



Roofline

By lowering and extending the roofline, Polestar 3 has a distinctive silhouette that maintains a sophisticated presence without compromising on interior space.



Panoramic roof

Made of hi-tech, laminated glass, the panoramic roof reduces 95,5% of UV radiation, lowers cabin noise levels, and adds a spacious feeling.

Aerodynamics

A technical aerodynamic wing and blades are integrated with the exterior design.



Rear light bar

The rear light bar illuminates adaptively to the surrounding light conditions.



Snow



Space



Magnesium



Midnight



Thunder



Jupiter

22" 4-Multi spoke black polished forged wheels
Performance pack



22" 4-V Spoke black polished forged wheels
Optional



21" 5-V Spoke black diamond cut wheel
Standard





From breathing to seeing



SmartZone

The frontal area, the SmartZone, integrates all the Advanced Driver Assistance Systems (ADAS) in one place. It replaces the grille that functioned as an air intake in internal combustion vehicles. In other words, we go from breathing to seeing. Sensors, radars and cameras inform the driver of changes in the surrounding area.



Performance

A low centre of gravity provides this performance SUV with a perfect 50/50 weight distribution. The all-electric dual motor delivers instant response, with a power of 360kW and torque output of 860 Nm, or 380kW and 910 Nm with the optional Performance pack. Torque vectoring increases turn-in and control, and Brembo brakes are standard for every Polestar 3 for maximum stopping power.

Safety

Polestar 3 shares safety technology with Volvo Cars. Structural innovations protect occupants, while advanced sensory technology prevents collisions, protecting pedestrians and cyclists. The driver is always informed of changing road conditions ahead. Real-time information is shared with other connected Polestar cars.





Polestar 3

Charging speed¹

DC 250 kW, from 10 to 80%

30 min

AC 11 kW, from 0 to 100%

11 hrs

Introduction packs

All versions of Polestar 3 come with the Long range Dual motor powertrain, equipped with a powerful 111 kWh battery. The standard version includes Pilot pack and Plus pack. Add the optional Performance pack for even higher output and fine-tuned details.



Including

- Pilot assist
- Park assist pilot
- Graphical head-up display

Pilot pack
Included as standard



Including

- Bowers & Wilkins for Polestar
- Soft close doors
- Power-operated steering column and profile memory
- Air quality – Advanced cabin sensor and filter
- Bio-attributed Microtech or Tailored wool seats in Charcoal with repurposed aluminium deco
- Heated rear seats, steering wheel and wiper blades
- IR windscreen
- Laminated acoustic lower rear windscreen
- 21" 5-V spoke black diamond cut wheels
- Lid-in-lid bag holder in the rear luggage compartment

Plus pack
Included as standard



Long range Dual motor

Range up to WLTP¹

610 km

379 mi

Range up to EPA¹

300 mi

Range up to CLTC¹

670 km

Power up to¹

360 kW

489 hp

483 bhp

Torque¹

840 Nm

620 lb-ft

0-100 km/h / 0-62mph¹

5.0 sec

Including

- Performance software upgrade
- Polestar Engineered chassis tuning
- 22" 4-multispoke black polished forged wheels
- Laser-etched light line in gold
- Gold valve caps
- Gold seatbelts front and rear
- Performance mode on/off



Performance pack
Optional

Long range Dual motor with Performance pack

Range up to WLTP¹

560 km

347 mi

Range up to EPA¹

270 mi

Range up to CLTC¹

620 km

Power up to¹

380 kW

517 hp

510 bhp

Torque¹

910 Nm

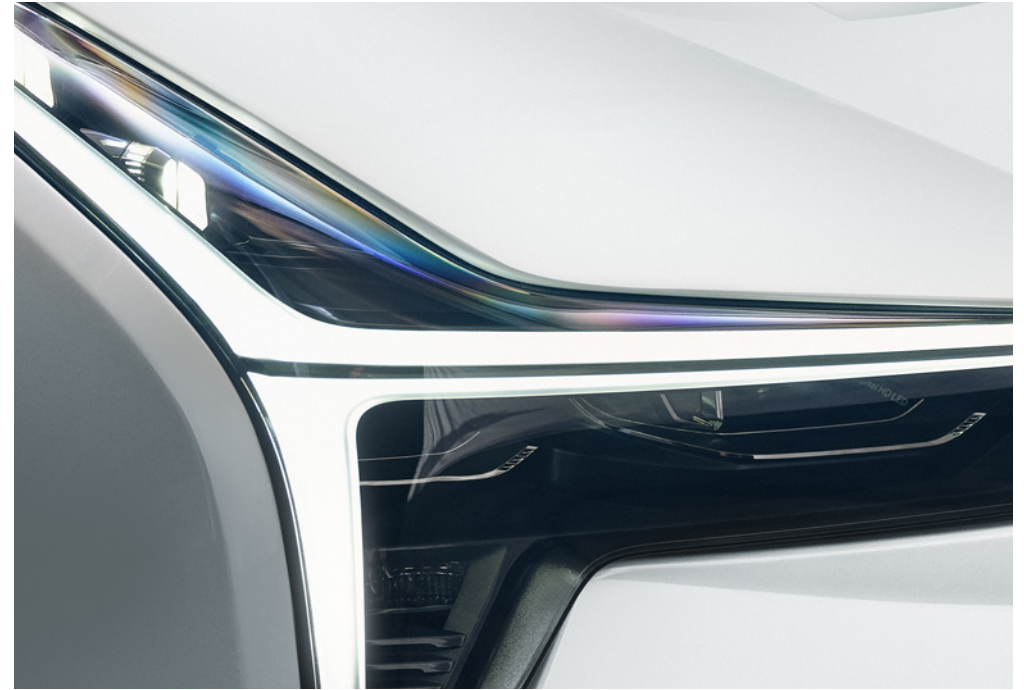
671 lb-ft

0-100 km/h / 0-62mph¹

4.7 sec

Options

- 1.3 Megapixel HD LED headlights
- Fully electric tow bar
- Clear laminated acoustic rear windows



Additional upgrades

Additional upgrades are available to add in the Polestar 3 configurator.

Options

- Charging cables
- Load carrier
- Safety
- Mudflaps

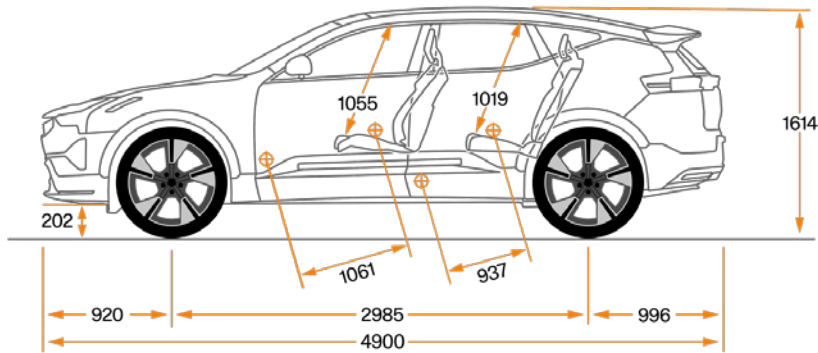
Extras

Extras items are available to add in the Polestar 3 configurator or the extras webshop.

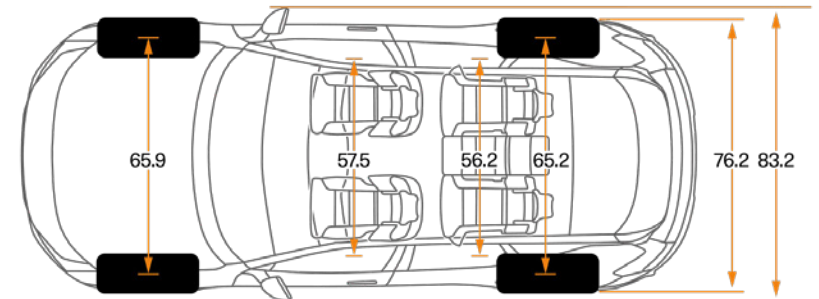
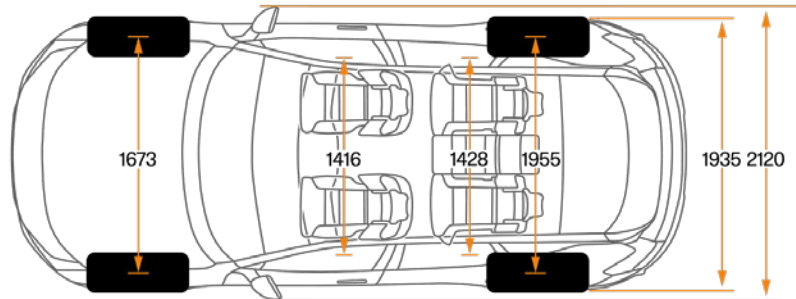
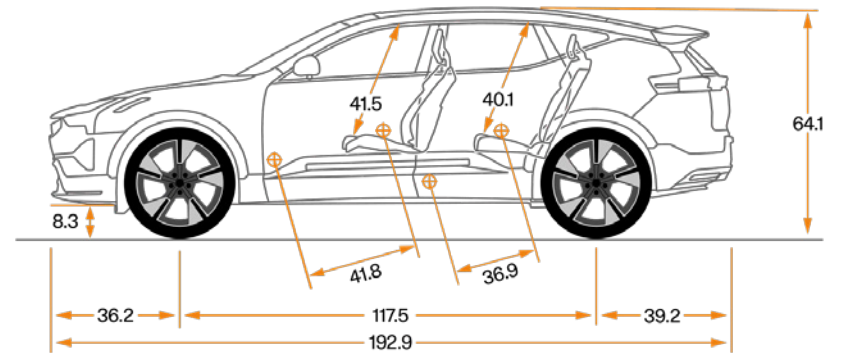


Technical dimensions

Europe in mm
Long range Dual motor



USA/China in inches
Long range Dual motor



Gross weight (kg): 3080 kg
Curb weight (kg): 2584 kg
Dimensions (mm): L-4900 mm H-1614 mm W-2120 mm
Wheelbase (mm): 2985 mm
Tyre specs: 21" 265/45 295/40 – 22" 265/40 295/35
Luggage volumes front/rear (liters): 32 L / 484 L

Gross weight (lbs): 6790 lbs
Curb weight (lbs): 5696 lbs
Dimensions (inches): L-192.9" H-64.1" W-83.5"
Wheelbase (inches): 117.5"
Tyre specs: 21" 265/45 295/40 – 22" 265/40 295/35
Luggage volumes front/rear (cubic feet): 1.1 cubic feet / 17.1 cubic feet

Reasons to add Polestar 3 to your fleet

01

Comfortable space

The Polestar 3 is a five-door and five-seat performance SUV with plenty of space for every passenger.

02

Equipped for a new era

Two upgrade packs, Plus and Pilot, are standard with the first model year of Polestar 3, enabling safety, functionality and performance features.

03

Over-the-air updates

With regular remote software updates, the Polestar 3 stays up to date without the need to visit a service location.

04

Reach and range

Polestar 3 has an improved range estimate and is connected with Google built-in. Get where you're going and stay up to speed while on the way.

Polestar

—

Polestar Performance AB
Assar Gabrielssons Väg 9
405 31 Göteborg, Sweden

Connect

polestar.com
info@polestar.com
facebook.com/polestarcars
instagram.com/polestarcars
twitter.com/polestarcars
youtube.com/polestarcars
linkedin.com/company/polestarcars

Visiting address:

Polestar HQ
Assar Gabrielssons Väg 9
418 78 Göteborg

Copyright

All rights reserved.
No part of this brochure may be
reproduced, distributed or transmitted in
any manner without the expressed written
consent of Polestar Performance AB.

© 2022 Polestar Performance AB

The Polestar trademarks are owned
by Polestar Holding AB. Other product
names, trademarks and company names
are property of their respective owners.

¹Preliminary figures. Subject to final certification.